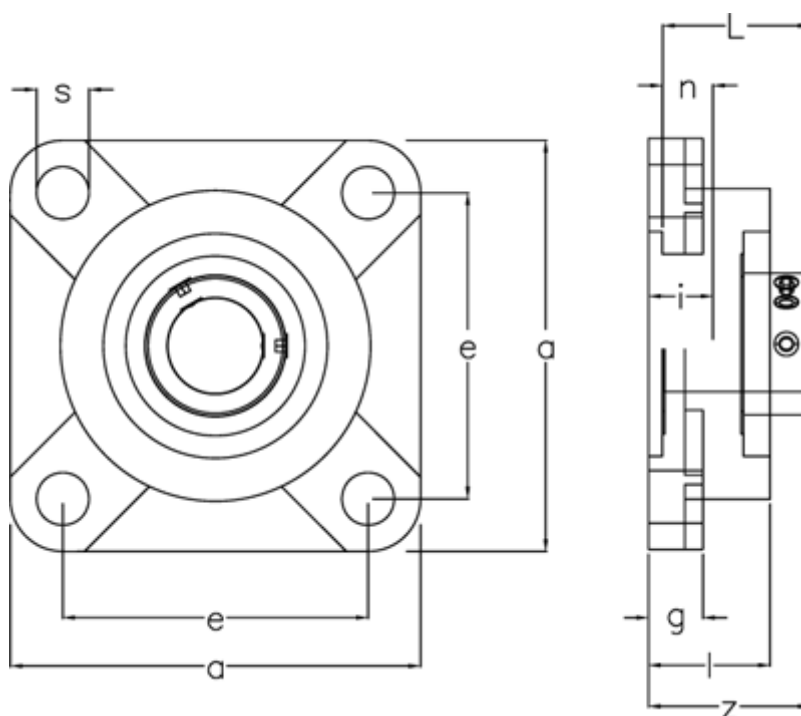


Article number: 54810052081

Description: 4 hole Flange Unit SSUCF208 for shaft $\varnothing 40\text{mm}$
Massive stainless steel, mat

Measures



a	= 130	L	= 49.2
Bearing	= SUC208	Nominal drive	= 19.0
Bolt size	= M14	s	= 14
e	= 102	Weight	= 2.17
g	= 15.0	z	= 51.2
Housing	= SF208		
i	= 21		
l	= 36.0		